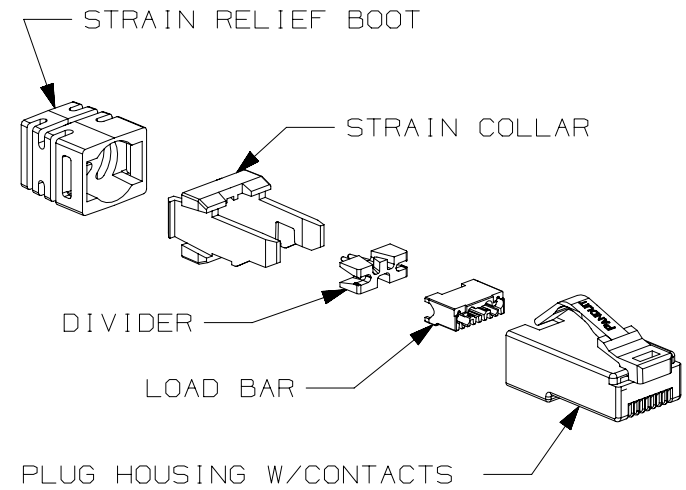
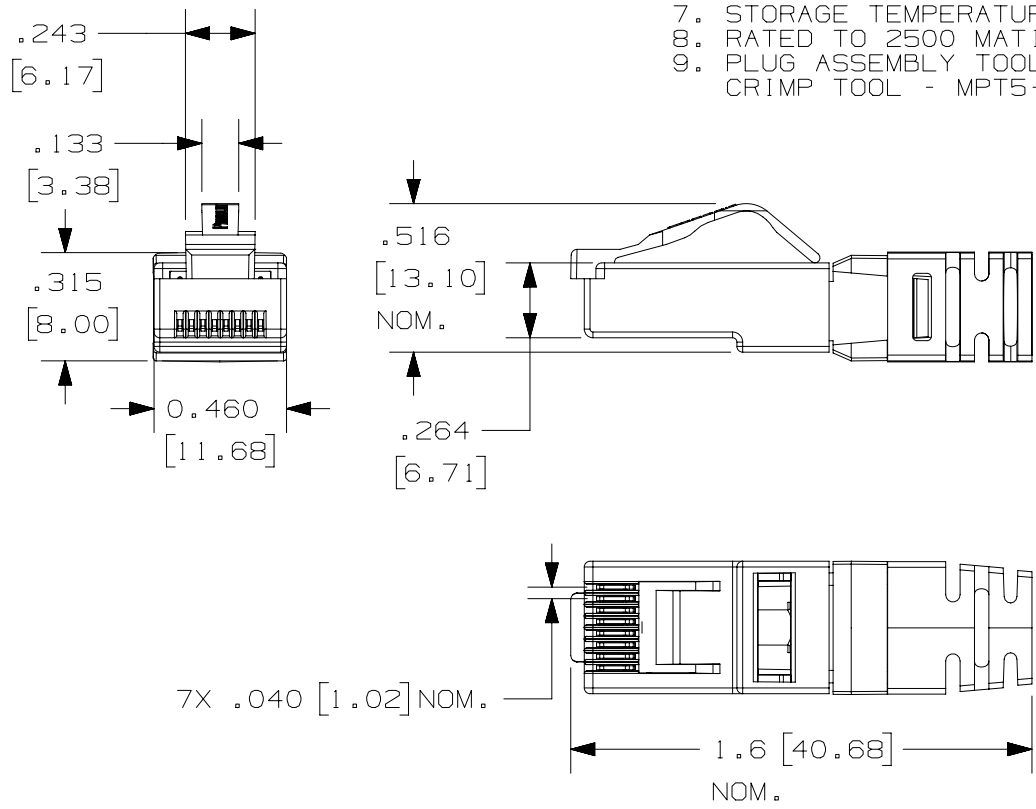


THIS COPY IS PROVIDED ON A RESTRICTED BASIS AND IS NOT TO BE USED IN ANY WAY DETRIMENTAL TO THE INTERESTS OF PANDUIT CORP.

PANDUIT P/N	WEIGHT
SP6X88P-C	.047 lb/10 PCS (21.4 g/10 PCS)

NOTES:

- TX6 PLUS CAT6A UTP MODULAR PLUG FOR PATCH CORDS.
- MATERIALS: PLUG COMPONENTS - UL94V-0 RATED POLYCARBONATE, BOOT - PVC, CONTACTS - GOLD PLATED PHOSPHOR BRONZE.
- PLUG DESIGNED AND TUNED EXCLUSIVELY FOR PANDUIT CAT6A UTP PATCH CABLE WITH MATRIX TECHNOLOGY.
  - A. .285" MAX. OUTER JACKET DIAMETER.
  - B. .041" MAX. CONDUCTOR INSULATION DIAMETER.
- MEETS DIMENSIONAL REQUIREMENTS OF FCC PART 68 AND IEC 60603-7. ALL DIMENSIONS MAXIMUM UNLESS OTHERWISE SPECIFIED.
- TERMINATED CONTACT HEIGHT DIMENSION: .237±.005"
- OPERATING TEMPERATURE: -14°F TO 140°F (-10°C TO 60°C)
- STORAGE TEMPERATURE: -40°F TO 158°F (-40°C TO 70°C).
- RATED TO 2500 MATING CYCLES.
- PLUG ASSEMBLY TOOL - CSPT.  
CRIMP TOOL - MPT5-8AS.



PART NUMBER	SP6X88P-C	PRODUCT SPEC/PKG SPEC	N/A
I.T. NUMBER	N/A	WORK INSTRUCTION	N/A
TITLE			
<b>Category 6A UTP Modular Plug for use with Category 6A Patch Cable</b>			
CUSTOMER DRAWING			
ITEM REVISION NAME			
M01185CH/02.PRT			
DATASET FILE NAME			
M01185CH_DCO1/02A.PRT			
UNLESS OTHERWISE SPECIFIED, DIMENSIONAL TOLERANCES ARE: IN [ mm ]			
.X ± -		.XXX ± -	
.XX ± -		ANGLES ± -	
		THIRD ANGLE PROJECTION	
DRAWING NUMBER:			
M01185CH-01			
DRAWN BY	DATE	CHK	SCALE
MDJR	12-21-12	EJH	NONE
SHT 1 OF 1			SIZE
			A

REV	DATE	BY	CHK	APR	DESCRIPTION	ECN
02A	7-11-23	BJN	REFR	SKH	UPDATED	M09000TP
1	7-19-13	MDJR	EJH	EJH	REVISED TITLE	M01185CH-01
R	12-21-12	MDJR	EJH	EJH	RELEASED TO PRODUCTION	M01185CH-01